

DESCRIPTION

MS50-SS CLOSE COUPLED MOTOR PUMP ASSEMBLY

REF. NO.

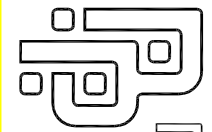
O-MS50SS

DATE

9/04/90

REV.

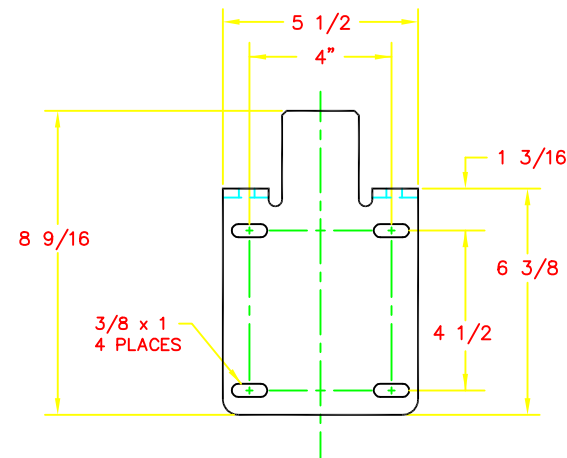
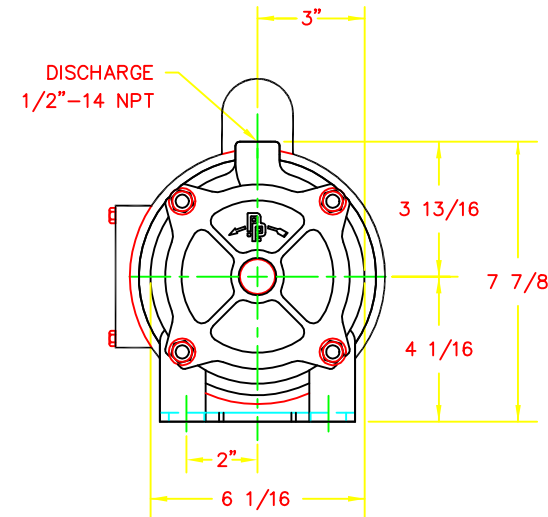
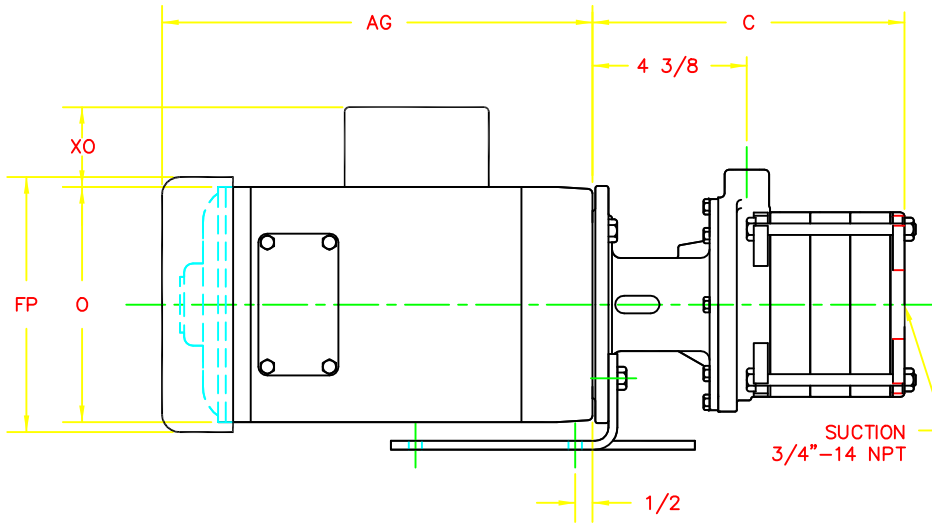
A



PRICE PUMP CO.

FACTORY FAX TRANSMITTAL DRAWING

#1 Pump Way P.O. Box Q
 Sonoma, CA 95476 (707) 938-8441
 707-FAX 938-0764



MOTOR END DIMENSIONS

HP RPM FRM	AG	FP	O	XO
1/4 1800 56C	7 3/4	6 1/8	5 3/8	2 1/16
1/3 1800 56C	8 1/4	6 1/8	5 3/8	2 1/16
1/2 1800 56C	8 3/4	6 1/8	5 3/8	2 1/16
1/3 3600 56C	8 1/2	6 1/8	5 3/8	2 1/16
1/2 3600 56C	8 3/4	6 1/8	5 3/8	2 1/16
3/4 3600 56C	9 1/4	6 1/8	5 3/8	2 1/16
1 3600 56C	9 3/4	6 1/8	5 3/8	2 1/16
1 1/2 3600 56C	10 1/2	7 3/16	6 7/8	2 1/4
2 3600 56C	11 1/8	7 3/16	6 7/8	2 1/4
3 3600 56C	12 3/8	7 3/16	6 7/8	2 1/4
5 3600 184C	13 5/8	8 1/2	7 7/8	2 1/4

PUMP LENGTH: (IN INCHES)

MODEL	STAGES	C
1MS50-SS-33	1 STAGE	5 3/8
2MS50-SS-75	2 STAGE	6 1/2
3MS50-SS-100	3 STAGE	7 5/8
4MS50-SS-150	4 STAGE	8 3/4
5MS50-SS-200	5 STAGE	9 7/8
6MS50-SS-300	6 STAGE	11

NOTE:

MOTOR DIMENSIONS WILL VARY BY MODEL AND MAKE, DIMENSIONS ARE TO BE USED FOR REFERENCE ONLY.

NOTE: ALL DIMENSIONS ARE ROUNDED TO THE NEAREST 1/8 INCH.